

AriyaTech آریاتک

WANGLU®

Guangzhou Wanglu Technology Co.,Ltd





IPC-9800 Pro series

- ▶ 7 inch IPS touch screen , 1280*800 resolution
- ▶ Dual Gigabit Ethernet ports, Dual Gigabit Ethernet port can be connected to the camera for testing at the same time
- ▶ HDMI input & VGA in
- ▶ RAM(DDR) : 1G
- ▶ FLASH(EMMC) : 8G

Multifunction CCTV tester

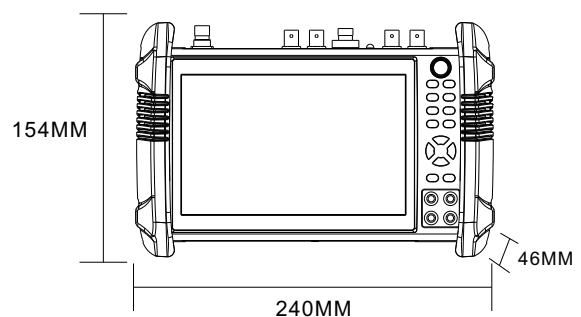
It is for fiber network, cabling and CCTV monitoring .
The installers often need to carry a variety of testing tools to complete their work. If take the all in one camera tester, making working conditions safer and increasing productivity.

Feature:

- 7 inch IPS touch screen, 1280*800 resolutions
- H.265 & H.264 IP, 8K video display via mainstream
- 8MP TVI test, 3840 x 2160P 15 fps, 4xzoom, video record & playback, coaxial PTZ control & call OSD menu *
- 8MP AHD test, 3840 x 2160P 15 fps, 4xzoom, video record & playback, coaxial PTZ & call OSD menu *
- 8MP CVI test, 3840 x 2160P 12.5/15fps, 4xzoom, video record & playback, coaxial PTZ & call OSD menu *
- 8MP EX-SDI test, 3840 x 2160P 25/30FPS, 4xzoom, video record & playback, coaxial PTZ & call OSD menu *
- HD-SDI test, 1920 x 1080P 25/30/50/60 FPS, 4xzoom, video record & playback, coaxial PTZ & call OSD menu *
- 3G-SDI test, 1920 x 1080P 50/60 FPS, 4xzoom, video record & playback, coaxial PTZ & call OSD menu *
- Rapid ONVIF, Auto log in and display image, create testing report
- Dual Gigabit Ethernet ports, Dual Gigabit Ethernet port can be connected to the camera for testing at the same time
- AXIS, Hikvision camera test, enter ONVIF app, input username and password to test
- CVBS camera test and PTZ control
- IPC TEST (Non-ONVIF test), HIK test tool (Hikvision camera), DH test tool (Dahua camera)
- Video level meter, peak video signal level, SYNC signal level, Color bar chroma level measurement*
- 4K HD camera level meter test, Through hardware high-speed sampling and processing technology, Test camera level data. Detect camera transmission quality and whether BNC transmission is normal. (only for TDR models)*
- DC12V/3A power output, camera can be powered from DC 12Votage
- DC 24V 2A power output, DC 24V power supply output with short circuit protection, can supply power to 24V camera
- 48V PoE power output power
- Rapid video, just by one key to detect all network cameras and auto display
- Built in Wi-Fi, display image from the wireless camera, create WIFI hotspot
- CVBS loop test, the tester send and receive color bar generator signal, to check BNC cable
- Enhanced Color bar generator, PAL/NTSC multi-system color bar video generator
- Improvement cable tester, UTP cable, telephone cable etc order and connectivity test, can save testing report, if special number, need customized
- RJ45 cable TDR test, test cable pair status, length, attenuation, reflectivity, impedance, skew etc
- New digital Cable tracer, search BNC cable, network cable and telephone cable from the mess cables *
- TDR cable test: BNC cable, network cable, telephone cable, RVV cable and elevator cable, cat 5/6 cable's length and short circuit. measurement range 1.2KM*
- TDR 2.0, Using the curve to accurately locate cable faults, can test the short-circuit and open-circuit length of metal wires, such as network cable, BNC cable, elevator cable, telephone cable and power lines. Support test up to 1.2km.*
- BNC attenuation test, Through hardware high-speed sampling and processing technology, test the BNC coaxial cable transmission attenuation value, detect the transmission quality of BNC cable.* (only for TDR models)
- Network tool: Ping, IP scan, Port Flash, DHCP server, Trace Route
- POE & power information, DC12V & PoE power and voltage output /input measurement
- Tester Play: Tester, android version mobile phone and PC display at the same time
- Shortcut button, drop-down menu, can select Poe power, IP setting, CVBS, LAN info, HDMI IN etc
- Traffic monitoring, display network port or WIFI connection real-time upload and download speeds and other network parameters
- Self -update software, you can install apps with android version
- Media player, 4K video files and MKV/MP4 media files play
- Wifi Analyzer, Detect the surrounding wifi signal and signal strength.
- NET TOOL PRO, contained Cable Test, Wireless Tool, Link Tool, Full Duplex Detection, PING,
- IP Scan, DHCP Server, PPPoE, OUI Search, Socket Tool, DNS, LLDP
- Quick office, quick office app (support excel, word, ppt format) doc. editable
- Display its genuine resolution of the IP camera images
- Audio in, support record and save the audio/LED lamp, calculators, music players and other application tools

Parameters

PoE power output	48V PoE power output, max power 30W
DC 24V power output	DC 24V 2A power output
DC 12V power output	DC12V /3A power output
5V/2A power output	DC5V 2A power output, as the power bank
External power supply	DC 12V(2A)
Battery	Built-in 7.6V Lithium polymer battery, 7800mAh
Rechargeable	After fast charging 3.5 hours, normal working time 16 hours
work environment	Working Temperature: -10°C---+50°C; Working Humidity: 30%-90%
Dimension/Weight	240mm x 154mm x 46mm / 620g





8K H.265 CCTV Tester

H20 Series

- ▶ 8 inch touch screen, 2048*1536 resolution
- ▶ PoE++55V, Max 90W power output
- ▶ Dual Gigabit SFP optical fiber module port
- ▶ Brand new dual Gigabit Ethernet ports
- ▶ Support 8K H.265 IP camera testing
- ▶ Built in Wi-Fi, support 2.4G/5G frequency band
- ▶ DC24V2A /12V3A /5V2A power output

Multifunction CCTV tester

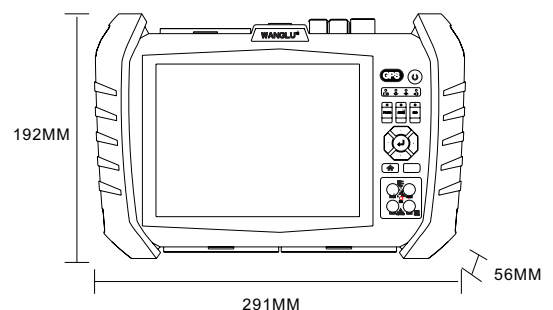
It is for fiber network, cabling and CCTV monitoring .
The installers often need to carry a variety of testing tools to complete their work.
If take the all in one camera tester, making working conditions safer and increasing productivity.

Feature:

- Brand new dual Gigabit Ethernet ports
- Support 8K H.265 IP camera testing
- Hik test tool app support password resetting and video occlusion alarm
- DH test tool app support video occlusion alarm
- Professional WIFI Analyzer, support 2.4G/5G frequency band
- PoE++55V, Max 90W power output
- DC24V2A power /12V3A /5V2A power output
- PoE voltage test and DC 12V camera power detection
- UTP cable test, cable etc sequence and connectivity test
- RJ45 cable TDR test, cable opens, shorts and length test, Max measurement 180m
- Rapid ONVIF, support face recognition and create test report
- TesterPlay, support remote control and voice intercom
- Dual Gigabit SFP optical fiber module port for optical fiber network testing
- POE detector, detect information such as POE standards, voltage, power, and power supply pins.
- Built in language: English, Polish, Italian, Korean, Russian, Spanish, French, Japanese, German, Turkish, Serbian, Czech, Portuguese, Vietnamese etc.
- Support HDM input/VGA input
- 8MP AHD/CVI/TVI/EX-SDI camera test (Optional)
- AUTO HD, Auto recognize video from TVI CVI AHD (Optional)
- HD coaxial level meter test PEAK level, SYNC level, Color burst measurement (Optional)
- Digital cable tracer
- Digital Multimeter (Optional)
- Optical power meter (Optional)
- Visual fault locator (Optional)
- TDR cable test: BNC cable, network cable, telephone cable, RVV cable and elevator cable, cat 5/6 cable's length and short circuit. Measurement range max 1.2KM (Optional)
- Tester, android version mobile phone and PC display at the same time
- Shortcut button, drop-down menu, can select Poe power, IP setting, CVBS, LAN info, HDMI IN etc
- Traffic monitoring, display network port or WIFI connection real-time upload and download speeds and other network parameters
- Self-update software, you can install apps with android version
- Media player, 8K video files and MKV/MP4 media files play
- Wifi Analyzer, Detect the surrounding wifi signal and signal strength.
- NET TOOL PRO, contained Cable Test, Wireless Tool, Link Tool, Full Duplex Detection, PING,
- IP Scan, DHCP Server, PPPoE, OUI Search, Socket Tool, DNS, LLLDP
- Quick office, quick office app (support excel, word, ppt format) doc. editable
- Display its genuine resolution of the IP camera images

Parameters

PoE power output	55V PoE power output, max power 90W
DC 24V power output	max DC current 2A, supply power for camera
DC 12V power output	max DC current 3A, supply power for camera
5V/2A power output	DC5V 2A power output, can connect USB camera, USB and Mouse, as power bank
External power supply	DC 15V(1.6A)
Battery	Built-in 11.1V Lithium polymer battery, 3350mAh
Rechargeable	After fast charging 3.5 hours, normal working time 7.5 hours
work environment	Working Temperature: -10°C---+50°C Working Humidity: 30%-90%
Dimension/Weight	276mm x 163mm x 44mm / 1.14KG



8K H.265 CCTV Tester

K15 Series



- ▶ 7 inch IPS touch screen, 1280*800 resolutions
- ▶ Support H.265/H.264 decoding camera, 8K video display via mainstream, support 8K/24FPS resolution
- ▶ 4K color bar generator, send CVI/TVI/AHD/CVBS color bar video signal for testing monitor or video cable, support 4K resolution
- ▶ ONE Gigabit SFP optical fiber module port for optical fiber network testing
- ▶ Laser distance meter, measurement range 100m, accuracy±3mm
- ▶ Auto lens calculation tool, recommend lens by testing the distance between the screen and the monitoring position (Optional)
- ▶ TesterPlay, support remote control and voice intercom
- ▶ Cable tacer + UTP cable test + electroscope
- ▶ RAM(DDR): 2G
- ▶ FLASH(EMMC): 16G

It is for fiber network, cabling and CCTV monitoring .

The installers often need to carry a variety of testing tools to complete their work. If take the all in one camera tester, making working conditions safer and increasing productivity.

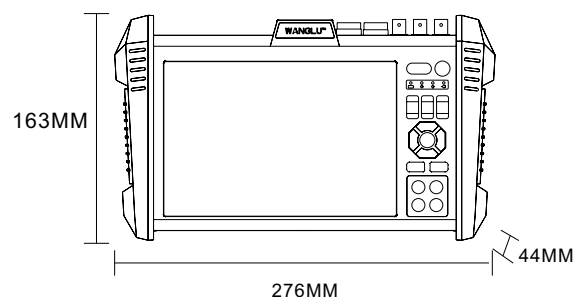
Multifunction CCTV tester

Feature:

- ONE Gigabit SFP port, support insert SFP optical fiber module, for optical fiber network testing NEW
- Optical power meter and visual fault locator (Optional)
- Support Laser distance meter and Lens focal length test (Optional)
- Laser distance meter, range 100m, accuracy ±3mm. It supports multiple measurement modes of length, side length, area and volume, and can accumulate and save test results. (Optional) NEW
- Focal length of the lens calculating, recommend lens by testing and monitoring the distance, display real-time images, simulating the display area of different lens sizes of 2.8 /3.6 /4 /6 /8 /12 /16 /25mm, for reference in lens purchase. (Optional) NEW
- 7 inch Retina touch screen, 1280*800 resolution
- H.265 & H.264 IP, 8K video display via mainstream
- Support TV15.0 audio test
- TVI 5.0 test, 3840 x 2160P 15 FPS, 4xzoom, video record & playback, coaxial PTZ control & call OSD menu *
- 8MP AHD test, 3840 x 2160P 15 FPS, 4xzoom, video record & playback, coaxial PTZ & call OSD menu
- 8MP CVI test, 3840 x 2160P 12.5/15 FPS, 4xzoom, video record & playback, coaxial PTZ & call OSD menu
- 8MP EX-SDI test, 3840 x 2160P 25/30 FPS, 4xzoom, video record & playback, coaxial PTZ & call OSD menu * (Optional)
- HD-SDI test, 1920 x 1080P 25/30/50/60 FPS, 4xzoom, video record & playback, coaxial PTZ & call OSD menu * (Optional)
- 3G-SDI test, 1920 x 1080P 50/60 FPS, 4xzoom, video record & playback, coaxial PTZ & call OSD menu * (Optional)
- Auto HD app, auto recognize HD coax camera type and resolution, support snapshot, video record & playback, coaxial PTZ & call OSD menu.
- Rapid ONVIF, Auto log in and display image, one-key create testing report, including camera
- IP address, resolution, encoding and other related information; support cross-network segment test; audio and video synchronization test; face recognition and other functions; NEW
- AXIS, Hikvision camera test, enter ONVIF app, input username and password to test
- CVBS camera test and PTZ control
- IPC TEST (Non-ONVIF test), HIK test tool (Hikvision camera), DH test tool (Dahua camera)
- Video level meter, peak video signal level, SYNC signal level, Color bar chroma level measurement
- DC12V/3A power output, DC24V 2A power output
- DC5V 2A power output, can connect USB camera, USB and Mouse, as power bank
- 48V PoE power output power, max power 30W
- Rapid video, just by one key to detect all network cameras and auto display
- Built in Wi-Fi Analysis, support 2.4G/5G frequency band, can test Wi-Fi camera, create Wi-Fi hotspot
- Improvement cable tester, UTP cable, telephone cable etc order and connectivity test, can save testing report, if special number, need customized, and detect near-end, mid-end and far-end fault test of RJ45 cable plug
- RJ45 cable TDR test, test cable pair status, length, attenuation, reflectivity, impedance, skew etc
- Upgraded Digital Cable tracer, search BNC cable, network cable and telephone cable from the mess cables, more accurately *(Optional)
- TDR cable test: BNC cable, network cable, telephone cable, RVV cable and elevator cable, cat 5/6 cable's length and short circuit measurement range 1.2KM, Add TDR network port, it is convenient to test network cable. *(Optional)
- HDMI Input support 4K 30FPS, HDMI output support 4K 60FPS
- 2K 60FPS VGA input
- Professional WIFI Analyzer, detect the surrounding wifi signal and signal strength
- Network tool: Ping, IP scan, Port Flash, DHCP server, Trace Route
- POE & power information, DC12V& PoE power and voltage output /input measurement
- Tester Play: Tester, android version mobile phone and PC display at the same time
- Shortcut button, drop-down menu, can select Poe power, IP setting, CVBS, LAN info, HDMI IN etc
- Traffic monitoring, display network port or WIFI connection real-time upload and download speeds and other network parameters
- 4K color bar generator, send CVI/TVI/AHD/CVBS color bar video signal for testing monitor or video cable, support 4K resolution
- Self-update software, you can install apps with android version
- Media player, 4K video files and MKV/MP4 media files play
- Quick office, quick office app (support excel, word, ppt format) doc. editable
- 8GB TFT card included
- Display its genuine resolution of the IP camera images
- Audio in, support record and save the audio/LED lamp, calculators, music players and other application tools
- 7.6 V /7800mAh Lithium Ion Polymer Battery, after 3.5 hours charging, working time lasts 16 hours

Parameters

PoE power output	48V PoE power output, max power 30W
DC 24V power output	max DC current 2A, supply power for camera
DC 12V power output	max DC current 3A, supply power for camera
5V/2A power output	DC5V 2A power output, can connect USB camera, USB and Mouse, as power bank
External power supply	DC 12V(2A)
Battery	Built-in 7.6V Lithium polymer battery, 7800mAh
Rechargeable	After fast charging 3.5 hours, normal working time 16 hours
work environment	Working Temperature: -10°C---+50°C Working Humidity: 30%-90%
Dimension/Weight	276mm x 163mm x 44mm / 1.14KG





H12 Series

- ▶ 8 inch IPS touch screen, 1920*1200 resolution
- ▶ Brand new dual Gigabit Ethernet ports
- ▶ Support 8K H.265 IP camera testing
- ▶ Built in Wi-Fi, support 2.4G/5G frequency band
- ▶ PoE++55V, Max 60W /DC24V2A /12V3A /5V2A power out
- ▶ RAM(DDR): 2G
- ▶ FLASH(EMMC): 16G

Multifunction CCTV tester

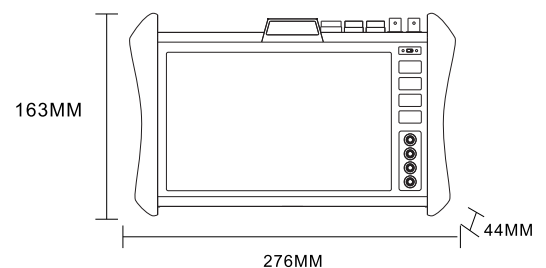
It is for fiber network, cabling and CCTV monitoring .
The installers often need to carry a variety of testing tools to complete their work. If take the all in one camera tester, making working conditions safer and increasing productivity.

Feature:

- 8 inch IPS touch screen, 1920*1200 resolution
- Brand new dual Gigabit Ethernet ports
- Support 8K H.265 IP camera testing
- Hik test tool app support password resetting and video occlusion alarm
- DH test tool app support video occlusion alarm
- Professional WIFI Analyzer, support 2.4G/5G frequency band
- PoE++55V, Max 60W /DC24V2A power /12V3A /5V2A power out
- PoE voltage test and DC 12V camera power detection
- UTP cable test, cable etc sequence and connectivity test
- RJ45 cable TDR test, cable opens, shorts and length test, Max measurement 180m
- Rapid ONVIF, support face recognition and create test report
- TesterPlay, support remote control and voice intercom
- ONE Gigabit SFP optical fiber module port for optical fiber network testing
- POE detector, detect information such as POE standards, voltage, power, and power supply pins.
- Built in language: English, Polish, Italian, Korean, Russian, Spanish, French, Japanese, German, Turkish, Serbian, Czech, Portuguese, Vietnamese etc.
- HDM input, Support 4K 3840*2160 30FPS (Optional)
- VGA input, Support 2K 1280x1024 60 (Optional)
- 8MP AHD/CVI/TVI/EX-SDI camera test (Optional)
- AUTO HD, Auto recognize video from TVI CVI AHD (Optional)
- HD coaxial level meter test PEAK level, SYNC level, COLOR BURST measurement (Optional)
- 4K color bar generator, send CVI/TVI/AHD/CVBS color bar video signal for testing monitor or video cableSupport support 4K resolution
- Digital cable tracer (Optional)
- Digital Multimeter (Optional)
- Optical power meter (Optional)
- Visual fault locator (Optional)
- TDR cable test: BNC cable, network cable, telephone cable, RVV cable and elevator cable, cat 5/6 cable's length and short circuit. Measurement range max 1.2KM (Optional)

Parameters

PoE power output	48V PoE power output, max power 60W
DC 24V power output	max DC current 2A, supply power for camera
DC 12V power output	max DC current 3A, supply power for camera
5V/2A power output	DC5V 2A power output, can connect USB camera, USB and Mouse, as power bank
External power supply	DC 12V (2A)
Battery	Built-in 7.4V Lithium polymer battery, 7800mAh
Rechargeable	After fast charging 3.5 hours, normal working time 11 hours
work environment	Working Temperature: -10°C---+50°C Working Humidity: 30%-90%
Dimension/Weight	203mm x 141mm x 46mm / 0.92KG





X9 Series

- ▶ 8 inch retina touch screen, 2048*1536 resolution
- ▶ 8MP TVI CVI AHD EX-SDI/ HD-SDI/3G-SDI /IP /Analog
- ▶ 4K 60fps HDMI input & 4K 60fps output
- ▶ Professional Wi-Fi Analyzer & network tool PRO
- ▶ DC12V 3A, DC24V 2A, DC48V PoE power output
- ▶ 4-channel rapid ONVIF, auto view video and create testing report
- ▶ BNC attenuation test, digital cable tracer, coaxial video level meter
- ▶ Dual 1000M LAN ports
- ▶ Anti-sunlight and screen protecting cover
- ▶ RAM(DDR) : 2G
- ▶ FLASH(EMMC) : 16G

Multifunction CCTV tester

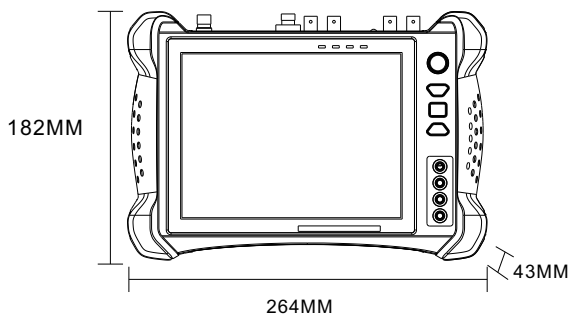
It is for fiber network, cabling and CCTV monitoring . The installers often need to carry a variety of testing tools to complete their work. If take the all in one camera tester, making working conditions safer and increasing productivity.

Feature:

- 8 inch retina touch screen, 2048*1536 resolutions
- H.265 & H.264 IP, 8K video display via mainstream
- 8MP TVI test, 3840 x 2160P 15 fps, 4xzoom , video record & playback , coaxial PTZ control & call OSD menu
- 8MP AHD test, 3840 x 2160P /15 FPS, 4xzoom, video record & playback, coaxial PTZ & call OSD menu
- 8MP CVI test, 3840 x 2160P 12.5/15fps, 4xzoom, video record& playback, coaxial PTZ & call OSD menu
- 8MP EX-SDI camera test, support 3840 x 2160P 20/30 FPS, 3G-SDI, support 1920x1080P 50/60 FPS
- HD-SDI test, 1920 x 1080P 25/30/50/60 FPS, 4xzoom, video record& playback, coaxial PTZ & call OSD menu
- 3G-SDI test, 1920 x 1080P 50/60 FPS, 4xzoom, video record& playback, coaxial PTZ & call OSD menu
- Rapid ONVIF, Auto log in and display image, create testing report
- Chrome browser, test and set Axis camera
- AXIS, Hikvision camera test, enter ONVIF app, input username and password to test
- CVBS camera test and PTZ control
- IPC TEST (Non-ONVIF test), HIK test tool (Hikvision camera), DH test tool (Dahua camera)
- Video level meter, peak video signal level, SYNC signal level, Color bar chroma level measurement
- DC12V/3A power output, camera can be powered from DC 12Votage
- 48V PoE power output power
- Rapid video, just by one key to detect all network cameras and auto display
- Built in Wi-Fi, display image from the wireless camera, create WIFI hotspot
- CVBS loop test, the tester send and receive color bar generator signal, to check BNC cable
- Enhanced Color bar generator, PAL/NTSC multi-system color bar video generator
- Network tool: Ping, IP scan, Port Flash, DHCP server, Trace Route
- POE & power information, DC12V& PoE power and voltage output /input measurement
- TesterPlay: Tester, android version mobile phone and PC display at the same time
- Shortcut button, drop-down menu, can select Poe power, IP setting, CVBS, LAN info, HDMI IN etc
- Traffic monitoring, display network port or WIFI connection real-time upload and download speeds and other network parameters
- Self-update software, you can install apps with android version
- Media player, 4K video files and MKV/MP4 media files play
- Quick office, quick office app (support excel, word, ppt format) doc. editable
- 8GB SD card including
- Display its genuine resolution of the IP camera images
- Audio in, support record and save the audio/LED lamp, calculators, music players and other application tools
- 7.4 V /7000mAh Lithium Ion Polymer Battery, after 3.5 hours charging , working time lasts 13 hours

Parameters

PoE power output	PoE power output, max power 30W
DC 24V power output	The maximum DC current is about 2A, supply temporarily power for the camera
DC 12V power output	The maximum DC current is about 2A, supply temporarily power for the camera
5V/2A power output	USB 5V 2A power output, as a power bank
External power supply	DC 12V (2A)
Battery	Built-in 7.4V Lithium polymer battery , 7000mAh
Rechargeable	After charging 3.5 hours, normal working time 13 hours
work environment	Working Temperature: -10°C---+50°C Working Humidity: 30%-90%
Dimension/Weight	264mm x 182mm x 43mm / 1Kg





X7 Pro Series

- ▶ 7 inch retina touch screen, 1920*1200 resolution
- ▶ 8MP HD Coax, IP and Analog camera test
- ▶ H.265/H.264, 8K video display via mainstream
- ▶ Dahua, Hikvision, Axis etc ONVIF camera test
- ▶ Rapid ONVIF, auto view video and create testing report
- ▶ DC12V 3A, DC24V 2A, 48V PoE power output
- ▶ 10/100/1000M Ethernet, network status and traffic display
- ▶ RAM(DDR) : 2G
- ▶ FLASH(EMMC) : 16G

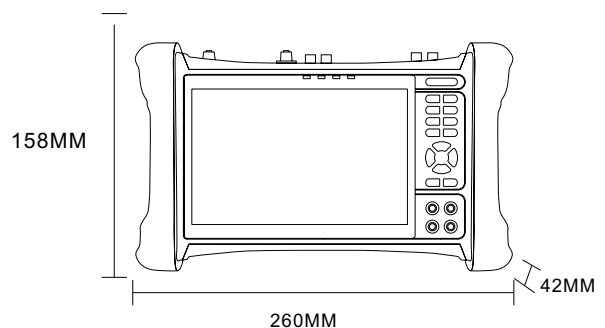
Multifunction CCTV tester

It is for fiber network, cabling and CCTV monitoring .
The installers often need to carry a variety of testing tools to complete their work. If take the all in one camera tester, making working conditions safer and increasing productivity.

- 7 inch retina touch screen, 1920*1200 resolutions
- H.265 & H.264 IP, 8K video display via mainstream
- 8MP TVI test, 3840 x 2160P 12.5/15 fps, 4xzoom, video record & playback, coaxial PTZ control & call OSD menu *
- 8MP AHD test, 3840x2160P 15 FPS, 4xzoom, video record & playback, coaxial PTZ & call OSD menu *
- 8MP CVI test, 3840 x 2160P 12.5/15fps, 4xzoom, video record & playback, coaxial PTZ & call OSD menu *
- 8MP EX-SDI test, 3840 x 2160P 25/30 FPS, 4xzoom, video record & playback, coaxial PTZ & call OSD menu *
- HD-SDI test, 1920 x 1080P 25/30/50/60 FPS, 4xzoom, video record & playback, coaxial PTZ & call OSD menu *
- 3G-SDI test, 1920 x 1080P 50/60 FPS, 4xzoom, video record & playback, coaxial PTZ & call OSD menu *
- 4K HDMI Output, support 4K 30fps
- Rapid ONVIF, Auto log in and display image, create testing report
- AXIS, Hikvision camera test, enter ONVIF app, input username and password to test
- CVBS camera test and PTZ control
- IPC TEST (Non-ONVIF test), HIK test tool (Hikvision camera), DH test tool (Dahua camera)
- Video level meter, peak video signal level, SYNC signal level, Color bar chroma level measurement
- DC24V 2A, DC 12V/3A power output, camera can be powered from DC 12 Voltage
- 48V PoE power output
- Rapid video, just by one key to detect all network cameras and auto display
- Built in Wi-Fi, display image from the wireless camera, create WIFI hotspot
- CVBS loop test, the tester send and receive color bar generator signal, to check BNC cable
- Enhanced Color bar generator, PAL/NTSC multi-system color bar video generator
- Network tool: Ping, IP scan, Port Flash, DHCP server, Trace Route
- POE & power information, DC12V & PoE power and voltage output /input measurement
- Tester Play: Tester, android version mobile phone and PC display at the same time
- Shortcut button, drop-down menu, can select Poe power, IP setting, CVBS, LAN info, HDMI IN etc
- HDM input, support 4K 30FPS, display, record and snapshot
- Traffic monitoring, display network port or WIFI connection real-time upload and download speeds and other network parameters
- Self-update software, you can install apps with android version
- Media player, 4K video files and MKV/MP4 media files play
- Quick office, quick office app (support excel, word, PPT format) doc. editable
- 8GB SD card including
- Display its genuine resolution of the IP camera images
- Audio in, support record and save the audio/LED lamp, calculators, music players and other application tools
- 7.6 V 7800mAh Lithium Ion Polymer Battery, after fast charging 3.5 hours , working time lasts 16 hours

Parameters

PoE power output	48V PoE power output, max power 30W
DC 24V power output	DC 24V 2A power output
DC 12V power output	DC12V /3A power output
5V/2A power output	DC5V 2A power output, as the power bank
External power supply	DC 12V(2A)
Battery	Built-in 7.6V Lithium polymer battery, 7800mAh
Rechargeable	After fast charging 3.5 hours, normal working time 14 hours Auto off1-30 (mins)
work environment	Working Temperature: -10°C---+50°C Working Humidity: 30%-90%
Dimension/Weight	264mm x 182mm x 43mm / 1Kg





IPC- 7600 Plus Series

- ▶ 7 inch IPS touch screen, 1280*1200 resolutions
- ▶ Support H.265/H.264 decoding camera, 8K video display via mainstream, support 8K/24FPS resolution
- ▶ 2K VGA input
- ▶ 4k 30FPS HDMI input, 4K 60FPS HDMI output
- ▶ Hik test tool app supports a reset password, video occlusion alarm, etc
- ▶ TesterPlay, support remote control and voice intercom
- ▶ Cable tacer + UTP cable test + electroscope
- ▶ RAM(DDR): 2G
- ▶ FLASH(EMMC): 8G

Multifunction CCTV tester

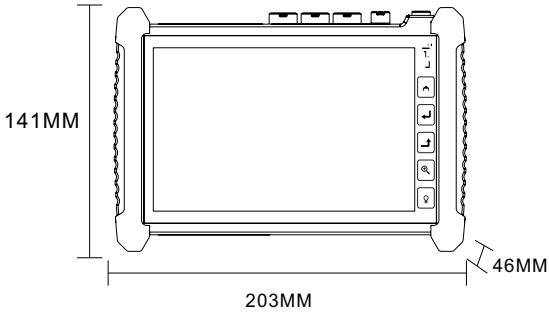
It is for fiber network, cabling and CCTV monitoring .
The installers often need to carry a variety of testing tools to complete their work. If take the all in one camera tester, making working conditions safer and increasing productivity.

Feature:

- 7 inch IPS touch screen, 1280*1200 resolution
- H.265 & H.264 IP, 8K video display via mainstream
- Support TV15.0 audio test
- TVI 5.0 test, 3840 x 2160P 15 FPS, 4xzoom, video record & playback, coaxial PTZ control & call OSD menu *
- 8MPAHD test, 3840 x 2160P 15 FPS, 4xzoom, video record & playback, coaxial PTZ & call OSD menu *
- 8MP CVI test, 3840 x 2160P 12.5/15 FPS, 4xzoom, video record & playback, coaxial PTZ & call OSD menu *
- 8MP EX-SDI test, 3840 x 2160P 25/30 FPS, 4xzoom, video record & playback, coaxial PTZ & call OSD menu *(Optional)
- HD-SDI test, 1920 x 1080P 25/30/50/60 FPS, 4xzoom, video record & playback, coaxial PTZ & call OSD menu *(Optional)
- 3G-SDI test, 1920 x 1080P 50/60 FPS, 4xzoom, video record & playback, coaxial PTZ & call OSD menu *(Optional)
- Auto HD app, auto recognize HD coax camera type and resolution, support snapshot, video record & playback, coaxial PTZ & call OSD menu.
- HDMI Input, up to 4K 30FPS, and support snapshot, video record & playback
- VGA input, up to 1280*800 60FPS
- Rapid ONVIF, Auto log in and display image, one-key create testing report, including camera IP address, resolution, encoding and other related information; support cross-network segment test; audio and video synchronization test; face recognition and other functions; NEW
- AXIS, Hikvision camera test, enter ONVIF app, input username and password to test
- CVBS camera test and PTZ control
- IPC TEST (Non-ONVIF test), HIK test tool (Hikvision camera), DH test tool (Dahua camera)
- Video level meter, peak video signal level, SYNC signal level, Color bar chroma level measurement
- DC12V/3A power output, DC24V 2A power output
- DC5V 2A power output, can connect USB camera, USB and Mouse, as power bank
- 48V PoE power output power, max power 30W
- Rapid video, just by one key to detect all network cameras and auto display
- Built in Wi-Fi Analysis, support 2.4G frequency band, can test Wi-Fi camera, create Wi-Fi hotspot
- Improvement cable tester, UTP cable, telephone cable etc order and connectivity test, can save testing report, if special number, need customized, and detect near-end, mid-end and far-end fault test of RJ45 cable plug
- RJ45 cable TDR test, test cable pair status, length, attenuation, reflectivity, impedance, skew etc
- Upgraded Digital Cable tracer, search BNC cable, network cable and telephone cable from the mess cables, more accurately *(Optional)
- TDR cable test: BNC cable, network cable, telephone cable, RVV cable and elevator cable, cat 5/6 cable's length and short circuit measurement range 1.2KM, . Add TDR network port, it is convenient to test network cable. *(Optional)
- Professional WIFI Analyzer, detect the surrounding wifi signal and signal strength
- Network tool: Ping, IP scan, Port Flash, DHCP server, Trace Route
- POE & power information, DC12V& PoE power and voltage output /input measurement
- Tester Play: Tester, android version mobile phone and PC display at the same time
- Traffic monitoring, display network port or WIFI connection real-time upload and download speeds and other network parameters
- Self-update software, you can install apps with android version
- Media player, 4K video files and MKV/MP4 media files play
- Quick office, quick office app (support excel, word, ppt format) doc. editable
- 8GB TFT card included
- Display its genuine resolution of the IP camera images
- Audio in, support record and save the audio/LED lamp, calculators, music players and other application tools
- 7.4 V /7800mAh Lithium Ion Polymer Battery, after 3.5 hours charging, working time lasts 16 hours

Parameters

PoE power output	48V PoE power output, max power 30W
DC 24V power output	max DC current 2A, supply power for camera
DC 12V power output	max DC current 3A, supply power for camera
5V/2A power output	DC5V 2A power output, can connect USB camera, USB and Mouse, as power bank
External power supply	DC 12V (2A)
Battery	Built-in 7.4V Lithium polymer battery, 7800mAh
Rechargeable	After fast charging 4.5 hours, normal working time 11 hours
work environment	Working Temperature: -10°C---+50°C Working Humidity: 30%-90%
Dimension/Weight	203mm x 141mm x 46mm / 0.92KG





IPC- 1900 Plus Series

- ▶ 4 inch IPS touch screen, 800x480 resolution
- ▶ H.265/H.264, 8K video display via mainstream
- ▶ 8MP CVI/ TVI/ AHD camera test*(Optional)
- ▶ Auto HD, auto recognize HD coax camera type and resolution*(Optional)
- ▶ Analog camera test, PAL/NTSC auto adapt*(Optional)
- ▶ DC12V 3A, 48V PoE 30W power output
- ▶ Cable tacer + UTP cable test + electroscope
- ▶ RAM(DDR): 1G
- ▶ FLASH(EMMC): 8G

Multifunction CCTV tester

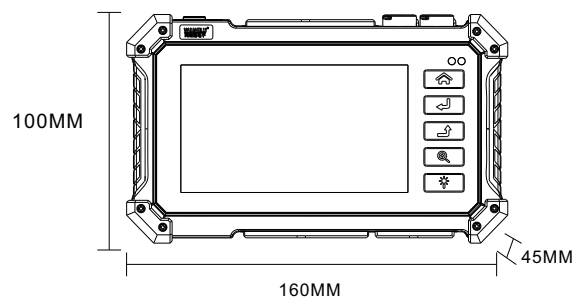
It is for fiber network, cabling and CCTV monitoring .
The installers often need to carry a variety of testing tools to complete their work. If take the all in one camera tester, making working conditions safer and increasing productivity.

Feature:

- 4 inch IPS touch screen, 800*480 resolution
- H.265 & H.264 IP, 8K video display via mainstream
- Analog camera test, PAL/NTSC auto adapt*(Optional)
- 8MP TVI test, 3840 x 2160P 12.5/15 FPS, 4xzoom, video record & playback, coaxial PTZ control & call OSD menu*(Optional)
- 8MP AHD test, 3840 x 2160P 15 FPS, 4xzoom, video record & playback, coaxial PTZ & call OSD menu*(Optional)
- 8MP CVI test, 3840 x 2160P 12.5/15FPS, 4xzoom, video record & playback, coaxial PTZ & call OSD menu*(Optional)
- Auto HD app, auto recognize HD coax camera type and resolution, support snapshot, video record & playback, coaxial PTZ & call OSD menu (Optional)
- Rapid ONVIF, Auto log in and display image, create testing report
- IPC test pro, auto scan all network segments IP, auto open PoE power and display the power. Input username and password, can scan camera image, can batch activate HIKVISION and Dahua cameras. Jump to ONVIF interface and test tools.
- AXIS, Hikvision camera test, enter ONVIF app, input username and password to test
- HIKVISION test tool, support batch activate HIKVISION cameras and modify IP address, modify password etc. Self-defined modify channel name, can quickly change H.264 and H.265 video, open wide dynamic mode. Factory restore, etc. Support reset password and set video occlusion alarm of HIKVISION cameras.
- Dahua test tool, support batch activate DAHUA cameras and modify IP address, user name and password. Self-defined modify channel name.
- IP and analog display image at the same time
- IPC TEST (Non-ONVIF test), HIK test tool (Hikvision camera), DH test tool (Dahua camera)
- DC12V/3A power output, camera can be powered from DC 12 Voltage.
- Rapid video, just by one key to detect all network cameras and auto display
- Built in Wi-Fi, display image from the wireless camera, create WIFI hotspot
- Improvement cable tester, UTP cable, telephone cable etc order and connectivity test, can save testing report, if special number, need customized. Can detect the near-end, mid-end and far-end fault point of the RJ45 cable plug
- Digital Cable tracer, search BNC cable, network cable and telephone cable from the mess cables. Cable search and UTP cable can test at the same time *(Optional)
- Network tool: Ping, IP scan, Port Flash, DHCP server, Trace Route
- TesterPlay: Tester, android version mobile phone and PC display at the same time
- Traffic monitoring, display network port or WIFI connection real-time upload and download speeds and other network parameters
- Customers self-update software, you can install apps with android version
- Media player, 4K video files and MKV/MP4 media files play
- SD card slot, support up to 32G, to save video, picture and other files
- Display its genuine resolution of the IP camera images
- Audio in, support record and save the audio/LED lamp, calculators, music players and other application tools
- 7.4 V / 2600mAh Lithium Ion Battery, after 3-4 hours charging, working time lasts 9 hours

Parameters

PoE power output	48V PoE power output, max power 30W
DC 12V power output	max DC current 3A, supply power for camera
External power supply	DC 12V (2A)
Battery	Built-in 7.4V Lithium polymer battery, 2600mAh
Rechargeable	After fast charging 3.5 hours, normal working time 9 hours
work environment	Working Temperature: -10°C----+50°C Working Humidity: 30%-90%
Dimension/Weight	160mm x 100mm x 45mm / 0.36kg



4K H.265 CCTV Tester

T90 Series



- ▶ 8 inch touch screen, 1920*1200 resolution
- ▶ Brand new dual Gigabit Ethernet ports
- ▶ Support 4K H.265 IP camera testing
- ▶ Built in Wi-Fi, support 2.4G/5G frequency band
- ▶ PoE++55V, Max 60W power output
- ▶ ONE Gigabit SFP optical fiber module port

Multifunction CCTV tester

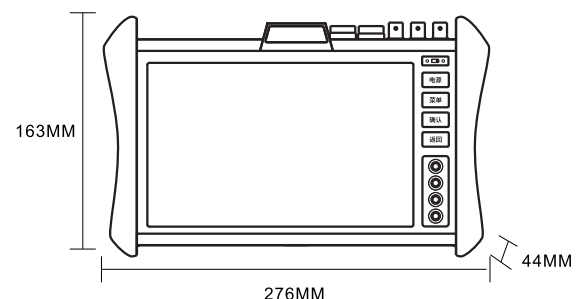
It is for fiber network, cabling and CCTV monitoring .
The installers often need to carry a variety of testing tools to complete their work. If take the all in one camera tester, making working conditions safer and increasing productivity.

Feature:

- 8 inch touch screen, 1920*1200 resolution
- Brand new dual Gigabit Ethernet ports
- Support 4K H.265 IP camera testing
- Hik test tool app support password resetting and video occlusion alarm
- DH test tool app support video occlusion alarm
- Professional WIFI Analyzer, support 2.4G frequency band
- PoE++55V, Max 60W power output
- DC24V2A /12V3A /5V2A power output
- PoE voltage test and DC 12V camera power detection
- UTP cable test, cable etc sequence and connectivity test
- RJ45 cable TDR test, cable opens, shorts and length test, Max measurement 180m
- Rapid ONVIF, support face recognition and create test report
- TesterPlay, support remote control and voice intercom
- ONE Gigabit SFP optical fiber module port for optical fiber network testing
- POE detector, detect information such as POE standards, voltage, power, and power supply pins.
- Built in language: English, Polish, Italian, Korean, Russian, Spanish, French, Japanese, German, Turkish, Serbian, Czech, Portuguese, Vietnamese etc.
- HDM input, Support 4K 3840*2160 30FPS (Optional)
- VGA input, Support 2K 1280*1024 60 (Optional)
- 8MP AHD/CVI/TVI/EX-SDI camera test (Optional)
- AUTO HD, Auto recognize video from TVI CVIAHD (Optional)
- HD coaxial level meter test PEAK level, SYNC level, Color Burst measurement (Optional)
- Digital cable tracer (Optional)
- Digital Multimeter (Optional)
- Optical power meter (Optional)
- Visual fault locator (Optional)
- TDR cable test: BNC cable, network cable, telephone cable, RVV cable and elevator cable, cat 5/6
- cable's length and short circuit. Measurement range max 1.2KM (Optional)
- Tester, android version mobile phone and PC display at the same time
- Shortcut button, drop-down menu, can select Poe power, IP setting, CVBS, LAN info, HDMI IN etc
- Traffic monitoring, display network port or WIFI connection real-time upload and download
- speeds and other network parameters
- Self-update software, you can install apps with android version
- Media player, 8K video files and MKV/MP4 media files play
- Wifi Analyzer, Detect the surrounding wifi signal and signal strength.
- NET TOOL PRO, contained Cable Test, Wireless Tool, Link Tool, Full Duplex Detection, PING,
- IP Scan, DHCP Server, PPPoE, OUI Search, Socket Tool, DNS, LLDP
- Quick office, quick office app (support excel, word, ppt format) doc. editable
- Display its genuine resolution of the IP camera images

Parameters

PoE power output	48V PoE power output, max power 30W
DC 24V power output	max DC current 2A, supply power for camera
DC 12V power output	max DC current 3A, supply power for camera
5V/2A power output	DC5V 2A power output, can connect USB camera, USB and Mouse, as power bank
External power supply	DC 12V(2A)
Battery	Built-in 7.4V Lithium polymer battery, 7800mAh
Rechargeable	After fast charging 3.5 hours, normal working time 11 hours
work environment	Working Temperature: -10°C---+50°C Working Humidity: 30%-90%
Dimension/Weight	203mm x 141mm x 46mm / 0.92KG



5.4inch



IPC- 5100 Plus Series

- ▶ 5.4 inch IPS touch screen, 1920*1152 resolution
- ▶ 8MP CVI/ TVI/AHD camera test, coaxial PTZ control & call OSD menu
- ▶ 8MP EX-SDI, HD-SDI, 3G-SDI camera test, coaxial PTZ control & call OSD menu *
- ▶ 4K 30FPS HDMI input*
- ▶ VGA input*
- ▶ Analog camera test, PAL/NTSC auto adapt
- ▶ 48V PoE power output
- ▶ RAM(DDR): 1G
- ▶ FLASH(EMMC): 8G

Multifunction CCTV tester

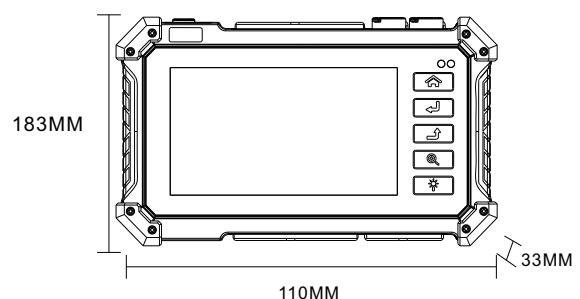
It is for fiber network, cabling and CCTV monitoring .
The installers often need to carry a variety of testing tools to complete their work. If take the all in one camera tester, making working conditions safer and increasing productivity.

Function Introduction

- 5.4 inch IPS touch screen, 1920*1152 resolution
- H.265 & H.264 IP, 4K video display via mainstream
- 8MP TVI test, 3840 x 2160P 15 fps, 4xzoom, video record & playback, coaxial PTZ control & call OSD menu *
- 8MP AHD test, 3840 x 2160P 15 fps, 4xzoom, video record & playback, coaxial PTZ & call OSD menu *
- 8MP CVI test, 3840 x 2160P 12.5/15fps, 4xzoom, video record & playback, coaxial PTZ & call OSD menu *
- 8MP EX-SDI test, 3840 x 2160P 25/30FPS, 4xzoom, video record & playback, coaxial PTZ & call OSD menu *
- HD-SDI test, 1920 x 1080P 25/30/50/60 FPS, 4xzoom, video record & playback, coaxial PTZ & call OSD menu *
- 3G-SDI test, 1920 x 1080P 50/60 FPS, 4xzoom, video record & playback, coaxial PTZ & call OSD menu *
- Rapid ONVIF, Auto log in and display image, create testing report
- AXIS, Hikvision camera test, enter ONVIF app, input username and password to test Analog camera test and PTZ control
- IPC TEST (Non-ONVIF test), HIK test tool (Hikvision camera), DH test tool (Dahua camera)
- DC12V/3A power output, camera can be powered from DC 12V voltage
- 48V PoE power output
- Rapid video, just by one key to detect all network cameras and auto display
- Built in Wi-Fi, display image from the wireless camera, create WIFI hotspot
- CVBS loop test, the tester can send and receive color bar generator signal, to check BNC cable
- Improvement cable tester, UTP cable, telephone cable etc order and connectivity test, can save testing report, if special number, need customized
- RJ45 cable TDR test, test cable pair status, length, attenuation, reflectivity, impedance, skew etc
- New digital Cable tracer, search BNC cable, network cable and telephone cable from the mess cables *
- Network tool: Ping, IP scan, Port Flash, DHCP server, Trace Route POE & power information, DC12V & PoE power and voltage output /input measurement
- TesterPlay: Tester, android version mobile phone and PC display at the same time Shortcut button, drop-down menu, can select Poe power, IP setting, CVBS, LAN info, HDMI IN etc
- Traffic monitoring, display network port or WIFI connection real-time upload and download speeds and other network parameters
- Self-update software, you can install apps with android version
- Media player, 4K video files and MKV/MP4 media files play
- Wifi Analyzer, Detect the surrounding wifi signal and signal strength.
- NET TOOL PRO, contained Cable Test, Wireless Tool, Link Tool, Full Duplex Detection, PING, IP Scan, DHCP Server, PPPOE, OUI Search, Socket Tool, DNS, LLLDP
- Quick office, quick office app (support excel, word, ppt format) doc. editable
- Display its genuine resolution of the IP camera images
- Audio in, support record and save the audio/LED lamp, calculators, music players and other application tools

Basic Parameters

PoE power output	48V PoE power output, max power 30W
DC 12V power output	DC12V /3A power output
External power supply	DC 12V 2A
Battery	Built-in 7.4V Lithium polymer battery, 3350mAh
Rechargeable	After fast charging 3 hours, normal working time 6 hours
work Temperature	-10°C---+50°C
work Humidity	30%-90%
Dimension/Weight	183mm x 110mm x 36.5mm / 0.32kg



LT - 1200



Network test/ Cable tracer/UTP cable test/ Video level test

- Secondary code digital mode, decisively rejects noise and false signals, locate cables quickly and easily
- New multiplex technology, cable tracer and UTP cable test at the same time, quickly verify the searching result
- UTP cable test, can judge which end of the network cable is wrong, support network cable TDR test with shielded layer and test network cable length, quality, gigabit transmission quality, etc.
- Port flicker, PING test, IP address scanning, Network status detection
- TDR cable breakpoint and short circuit test, max test length 1.2KM.
- Support 4 pairs of network cable test hardware high-speed sampling at the same time, detect the peak, sync and burst level of
- TVI, CVI, AHD, CVBS signals.

Connection diagram



More accurately judge whether the quality of camera image is normal under the BNC cable transmission.

Video level	Signal normal reference value
Peak level P	1000±200mV
Sync level s	300±35mV
Color brst value C	220±20mV

*Based on the standards of different camera manufacturers

MT- 6500

- ▶ 5.4 inch IPS touch screen
- ▶ **4K IP** camera testing
- ▶ Wi-Fi Analyzer
- ▶ 4K TVI CVI AHD cameras testing
- ▶ 26/28/30/32/34dB Dynamic range, max test range 150KM

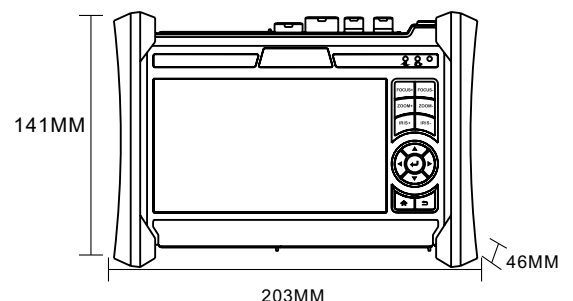


Features

- 5.4 inch IPS touch screen, 1920x1152 resolutions
- OTDR 3m-150km, 26/28/30/32/34 dB Dynamic range **Optional**
- 1310/1550/1610 nm **Optional**
- Stable laser source, loss test, OPM and VFL etc
- 4 CORE CPU, support online update
- Interface type: SC-UPC
- DC24V2A/ 5V2A power output
- 4 K TVI CVI AHD cameras testing **Optional**
- HDMI input and VGA input **Optional**
- 4k IP camera testing
- PoE power supply and PoE switch power supply protocol detection
- Cable opens and shorts test, max measurement 600M
- Internal storage + external TF card, support copy data through U disk
- 7.4V 5200mAh Li-ion Battery, 2.5 hours faster charging, working time lasts 11 hours

Basic Parameters

Screen	5.4inch IPS touch screen, 1920x1152 resolution
Interface tyoe	SC-UPC
Wavelength	1310/1550/1610 nm
Dynamic range	26/28/30/32/34 dB
Hardware decoding	Up to 4K decoding
Battery	Bulit-in 7.4V 5200mAh Li-ion Battery
Rechargeable	Full charging 2.5 hours, normal working 11 hours
work environment	Temperature: - 10 °C --+50 °C Humidity: 30% - 90%



HD- 2900 Series

4.3 inch



AHD CVI TVI Analog camera test

- 4.3 inch TFT-LCD screen, 480*272 resolution
- 8MP TVI/8MP CVI/8MP AHD, UTC and call OSD menu
- AutoHD, auto-recognize of CVI/TVI/AHD/CVBS input signals
- Analog camera test, PAL /NTSC format auto adapt
- High brightness LED light
- 12V 1A power output
- Audio input

HD- 3000 Series

5 inch



HDMI 4K 30fps input, VGA input

- 5 inch TFT-LCD screen, 800*480 resolution
- EX-SDI 2.0, HD-SDI and 3G-SDI (optional)
- 5V 1A power output, support reading USB disk
- 8MP TVI/8MP CVI/8MP AHD, UTC and call OSD menu
- Power management function, view 12V supply voltage and power in real time
- AutoHD, auto-recognize of CVI/TVI/AHD/CVBS input signals
- Analog camera test, PAL /NTSC format auto adapt
- Digital cable tracer (optional)
- High brightness LED light
- 12V 1A power output
- UTP cable test
- Audio input

Features	Picture							
Item series		X9	X7 Pro	K15	IPC-9800 Pro	IPC-7600 Plus	IPC-5100 plus	IPC-1910 plus
Standard functions								
Touch screen		Retina screen	Retina screen	IPS screen	IPS screen	IPS screen	IPS screen	IPS screen
Screen resolution		2048*1536	1920*1200	1280*800	1280*800	1920*1200	1920*1200	800*480
Screen size		8 inch	7 inch	7 inch	7 inch	7 inch	5.4 inch	4 inch
8K H.265 IP camera test		√	√	√	√	√	×	√
4K H.265 IP & Analog camera test		√	√	√	√	√	√	√
Dual 1000M LAN ports		√	√	√	√	√	×	×
Wifi Analyzer		√	√	√	√	√	×	√
Fast charging		√	√	√	√	√	×	×
Built-in microphone		√	√	√	√	√	√	√
IP discovery & Rapid ONVIF		√	√	√	√	√	√	√
Non-ONVIF		√	√	√	√	√	√	√
Create ONVIF test report		√	√	√	√	√	√	√
Upgraded Hikvision & Dahua test tool		√	√	√	√	√	√	√
Screen Projection & Remote Control		√	√	√	√	√	√	√
RJ45 TDR cable test & UTP cable test		√	√	√	√	√	√	√
Android system, self install android app		√	√	√	√	√	√	√
Built-in Wifi, create Wifi hotspot		√	√	√	√	√	√	√
Network test tool		√	√	√	√	√	√	√
PTZ control, 4 x zoom image		√	√	√	√	√	√	√
Video Snapshot, record and playback		√	√	√	√	√	√	√
HDMI signal output		√	√	√	×	√	×	×
Color bar generator		√	√	√	√	√	×	×
PoE/PSE voltage test		√	√	√	√	√	×	×
Audio test		√	√	√	√	√	√	√
LED light		√	√	√	√	√	√	√
DC 48V PoE power output		√	√	√	√	√	√	√
USB 5V power output		√	√	√	√	√	×	×
DC24V 2A power output		√	√	√	√	√	×	×
DC 12V power output		DC12V/3A	DC12V/3A	DC12V/3A	DC12V/3A	DC12V/3A	DC12V/3A	DC12V/3A
Power adaptor		DC12V(2A)	DC12V(2A)	DC12V(2A)	DC12V(2A)	DC12V(2A)	DC12V(1A)	DC12V(2A)
Lithium Polymer battery		7.4V/7000mAh	7.6V/7800mAh	7.6V/7800mAh	7.6V/7800mAh	7.4V/7800mAh	7.4V/3350mAh	7.4V/2400mAh
Operating Time		13 hours	14 hours	16 hours	14 hours	11 hours	8 hours	9 hours
Optional functions(√)								
*HDMI signal input		standard function	standard function	√	√	√	√	×
*Cable tracer		standard function	standard function	√	√	√	√	√
*Analog Video level meter		standard function	standard function	√	√	√	√	×
*Coaxial video level meter		standard function	√	√	√	√	×	×
*BNC attenuation test		standard function	√	√	√	√	×	×
*Digital multimeter		√	√	√	√	√	×	×
*Optical power meter		√	√	√	√	√	×	×
*Visual fault locator		√	√	√	√	√	×	×
*TDR cable test		√	√	√	√	√	×	×
*CVI(8MP) video signal test		√	√	√	√	√	√	√
*TVI(8MP) video signal test		√	√	√	√	√	√	√
*AHD(8MP) video signal test		√	√	√	√	√	√	√
*EX-SDI(8MP),HD-SDI,3G-SDI video test		√	√	√	√	√	√	×
*VGA signal input		×	√	√	√	√	√	×
*Built-in camera		×	×	√	×	×	×	×
*Laser distance meter		×	×	√	×	×	×	×
*GPS		×	×	√	×	×	×	×

Note:above functions with mark<*> are customizable functions
The data above is only for reference and any change of them will not be informed in advance

Picture				
Model	K15 series	H12 series	T90 series	H20 series
Touch screen	7 inch IPS screen	8 inch IPS screen	8 inch IPS screen	8 inch retina screen
Resolution	1280×800	1920×1200	1920×1200	2048×1536
IP camera test	8K	8K	4K	8K
HIK/Dahua/Huawei test tool	√	√	√	√
*HD coaxial video level meter test	√	√	√	√
*4K color bar generator	√	√	√	√
*4K HDMI input	√	√	√	√
*VGA input	√	√	√	√
*8MP CVI/TVI/AHD camera test	√	√	√	√
*EX-SDI(8MP) HD-SDI 3G-SDI	√	√	√	√
*3 IN1 cable tracer	cable tracer/UTP cable test/ electroscope	cable tracer/UTP cable test/ electroscope	cable tracer/UTP cable test/ electroscope	cable tracer/UTP cable test/ electroscope
PoE output	PoE 48V/30W	PoE++ 55V/60W	PoE++ 55V/60W	PoE++ 55V/90W
SFP optical fiber module port	One Gigabit SFP	One Gigabit SFP	One Gigabit SFP	Dual Gigabit SFP
DC12V power output	√	√	√	√
DC 5V 2A power output	√	√	√	√
RJ45 cable TDR test	√	√	√	√
*Laser distance meter	√	√	√	√
*Auto lens calculation tool	√	√	√	√
*Built-in camera	√	√	√	√
*GPS	√	√	√	√
*Digital Multimeter	√	√	√	√
*Optical power meter	√	√	√	√
*Visual fault locator	√	√	√	√
*TDR2.0	√	√	√	√
Battery	7.6V/7800mAh	7.4V/7800mAh	7.4V/7800mAh	11.1V/3350mAh

Note: "*" sign mean functions are customizable
 The data above is only for reference and any change of them will not be informed in advance. For more detailed technical inquiries, please feel free to contact us.

optical fiber fusion machine

AUA70F



Applicable fiber	(SMF (G.652), MMF (G.651), DSF (G.653), NZDSF (G.655
Fiber diameter	Cladding: 80-150μm; Coating: 0.1-3mm
Splice loss	0.02dB(SMF), 0.01dB (MMF), 0.04dB(DSF/NZDSF) are measured by ITU-I shear method
Alignment method	Core, cladding
Focus mode	Six-motor auto focus
Splicing method	Auto/Manual
Splicing time	(8s (SMF typical value
Pull test	1.96-2.25N
Image display	Capacitive 5.5 inch touch LCD screen
Magnification	00 (X/Y), 150 (X/Y synchronization)
Splicing method	groups 1000
Typical heating time	18s
Heating time	0-60s
Heat shrinkable sleeve	20mm、30mm、40mm、50mm、60mm
OPM	Range (dBm):-70~+3/Wavelength: 850nm-1625nm/Uncertainty: ±0.5%
(Red light (VFL)	10mW≤
Operation interface	GUI graphical user operation interface
Electrode life	times 3000
Lighting method	Auto/Manual
Battery capacity	(7800mAh (Splicing and heating cycle typical value 240 times
Charging time	time: 3.5h
Output voltage	DC 11.1V

optical fiber fusion machine

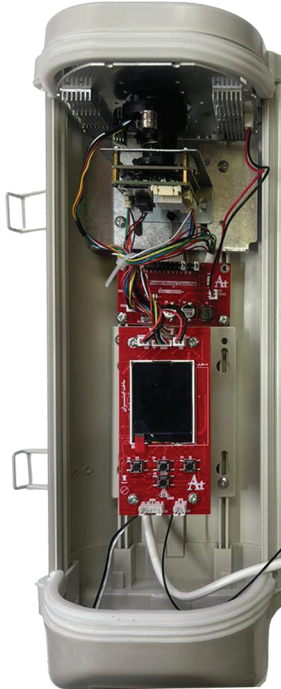
AI - 9



VFL: Always on / flashing / off
Power Meter:
850nm/1300nm/1310nm/1490nm
/1550nm/1625nm Six states

Fiber alignment	Core/cladding alignment / Manual alignment	Built-in lighting	easy for night operation
Splicing time	5S	Tension Test	Standard 2N
Heating time	15S	Fiber holders	3 in 1 fiber holder, SM, MM, bare fiber, pigtail, rubber-insulated, multi fiber cable
Heating mode	Automatic heating (Preheating)	Magnification	300 for X or Y view, 150 for X or Y view
Focus mode	Six motors Auto focus	Screen	5 inch TFT color display
Applicable Fibers	SM(G.652&G.657)、MM (G.651)、DS(G.657)、NZDS (G.655)	Splicing Mode	Normal / high precision splicing
Splice Loss	0.025dB (SM)、0.01dB (MM) 0.04dB (DS/NZDS)	Splicing method	Fully automatic、 Step by step splicing
Control technology	Real-time control and calibration of fusion ARC	Splicing record storage	Synchronize to the phone, the server to cloud storage unlimited
Return loss	Better than 60DB	Built-in battery	7800 mA high-capacity lithium battery, charging time ≤ 3.5 hours, continuous splicing and heating about 200 times
Fiber diameter	Cladding Diameter : 80-150μm Coating Diameter : 100-1000μm	Power supply	Input AC100-240V 50 / 60HZ, output DC13.5V / 4A, the current power mode can be identified, real-time detection of battery power
Fiber Cleave Length	Coating less than 250μm : 8-16mm Coating less than 250-1000μm:16mm	Operating Conditions	Temperature -15 ~ +50 °C, humidity: <95% RH (no condensation) Working altitude: 0 ~ 5000m. Resist max. wind speed: ≤ 15m / s
Software update Length	Automatically update、 Update by a key	Shrinkable tube	60mm、 50mm、 40mm、 25mm
Boot time	1 second	Product protection	Waterproof, dust proof, shock-resistant
Visual Fault Locator	Power:15mw,2hzflashing And Constantly Bright Mode	Optical Power Meter	Wavelength:850nm、 1300nm、 1310nm、 1490nm、 1550nm、 1625nm Measuring Range:-70 ~ +6db Absolute Error:<0.3db(-50dbm ~ +3dbm Range)

AT License plate reader camera



- سنسور sony 307
- وری لنز موتوراز (6mm - 22mm)
- 2 مگاپیکسل 1080x1920 رزولوشن
- حداکثر نرخ فریم 30
- ولتاژ ورودی 12 ولت
- حداکثر توان مصرفی 6.9 وات
- پشتیبانی از کارت حافظه جانبی حداکثر تا 128 گیگابایت
- حداکثر پرتاب نور 40 متر - حداکثر پرتاب نور مفید 25 متر
- دارای وای فای جهت تنظیم لنز دوربین



Focus on Multifunction tester

Just keep on moving

Ariyatech

Tel : +9821 66343871-74

Web : www.ariyatech.ir

Add : No.212,2Nd Floor, Alaeddin2 Passage

Crossing Sheykh Hadi, Jomhuri Ave. Tehran.Iran

Add2 : No.415,4Nd Floor, Alaeddin2 Passage

Crossing Sheykh Hadi, Jomhuri Ave. Tehran.Iran

